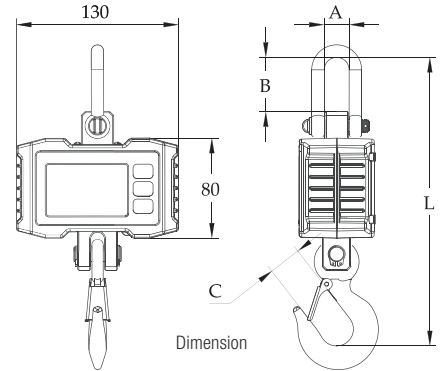


Electronic Crane Scales

SPECIFICATIONS: —■

SENS CS-S	Model Info.
Display	LCD with backlight, 2 lines display, 5 digits
Functions	Units Conversion, Hold, TARE, Zero, Calibration, Auto Zero, low battery, Auto Power Off
Body Structure	Die-casting aluminum case with stainless steel shackle, alloy steel hook and waterproof panel.
Accuracy Class	OIML III Standard
Selectable Units	kilograms (kg), pounds (lb)
Overload	Over Load Protection and alarm
Temperature Range	-10°C ~ +40°C
Battery	3 x AA (rechargeable) battery (130 Hours)

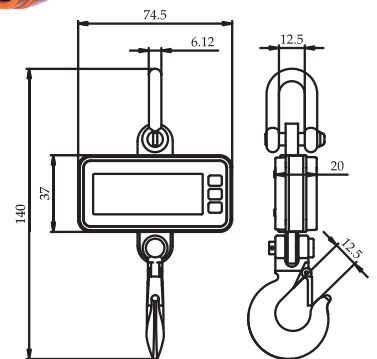
Capacity & Division	100 kg / 0.05kg	300 kg / 0.1kg



SPECIFICATIONS: —■

SENS CS-S1	Model Info.
Display	Clear LED display
Functions	Units Conversion, Hold, TARE, Zero, Calibration, Auto Zero, low battery, Auto Power Off
Body Structure	Die-casting aluminum case with stainless steel shackle, alloy steel hook and waterproof panel.
Accuracy Class	OIML III Standard
Selectable Units	kilograms (kg), pounds (lb)
Overload	Over Load Protection and alarm
Temperature Range	-10°C ~ +40°C
Battery	4 x AA (rechargeable) battery life 100 Hours

Capacity & Division	100 kg / 0.05kg	300 kg / 0.1kg
	500 kg / 0.2kg	1000 kg / 0.5kg



Dimension

Specifications are subject to change for improvement without prior notice.